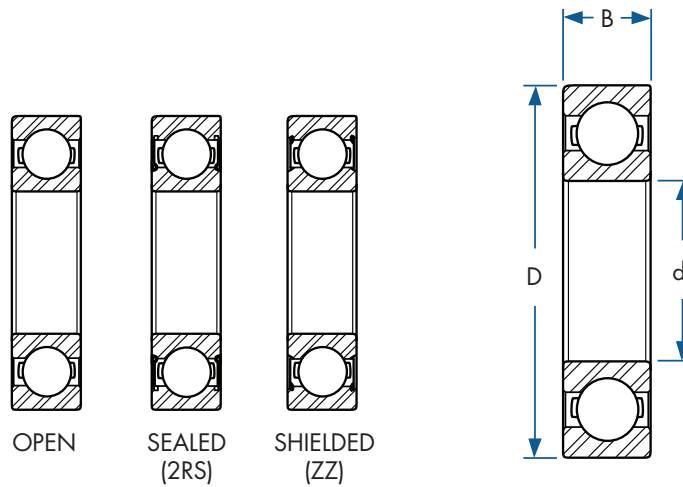


6200 Series



Bearing Size	Dimensions (mm)			Load Rating (lbs)		Limiting Speed (RPM)		
				Dynamic	Static	Grease		Oil
	d	D	B	Cr	Cor	2RS	ZZ/OPEN	OPEN
6200	10	30	9	1,150	540	16,000	24,000	29,000
6201	12	32	10	1,530	690	15,000	22,000	27,000
6202	15	35	11	1,720	850	13,000	20,000	24,000
6203	17	40	12	2,150	1,080	12,000	17,000	21,000
6204	20	47	14	2,880	1,500	9,700	15,000	17,000
6205	25	52	15	3,150	1,770	8,400	13,000	15,000
6206	30	62	16	4,390	2,550	7,000	11,000	13,000
6207	35	72	17	5,780	3,470	6,000	9,200	11,000
6208	40	80	18	6,550	4,010	5,400	8,300	10,000
6209	45	85	19	7,200	4,570	5,100	7,700	9,200
6210	50	90	20	7,900	5,200	4,600	7,100	8,500
6211	55	100	21	9,800	6,580	4,100	6,300	7,600
6212	60	110	22	11,780	8,140	3,700	5,700	6,900
6213	65	120	23	12,900	9,020	3,500	5,400	6,400
6214	70	125	24	13,990	9,920	3,300	5,100	6,100
6215	75	130	25	14,900	11,100	3,100	4,800	5,800
6216	80	140	26	16,300	11,920	2,900	4,500	5,400
6217	85	150	28	18,700	14,300	2,700	4,200	5,000
6218	90	160	30	21,500	16,080	2,600	3,900	4,700
6219	95	170	32	24,510	18,420	2,400	3,700	4,400
6220	100	180	34	27,500	20,900	2,300	3,500	4,200
6221	105	190	36	29,900	23,500	2,200	3,300	3,900
6222	110	200	38	32,500	26,310	2,000	3,100	3,700
6224	120	215	40	34,900	29,500	1,900	2,900	3,400
6226	130	230	40	37,500	32,900	1,800	2,700	3,200
6228	140	250	42	37,500	33,500	1,600	2,400	2,900